

PRODUCT INFORMATION PACKET

Model No: 5KC35MN73
Catalog No: G1513
1/3, 1800, 1/60/115/230
Totally Enclosed Fan Cooled (TEFC)



Regal and Marathon are trademarks of Regal Beloit Corporation or one of its affiliated companies.
©2018 Regal Beloit Corporation, All Rights Reserved. MC017097E



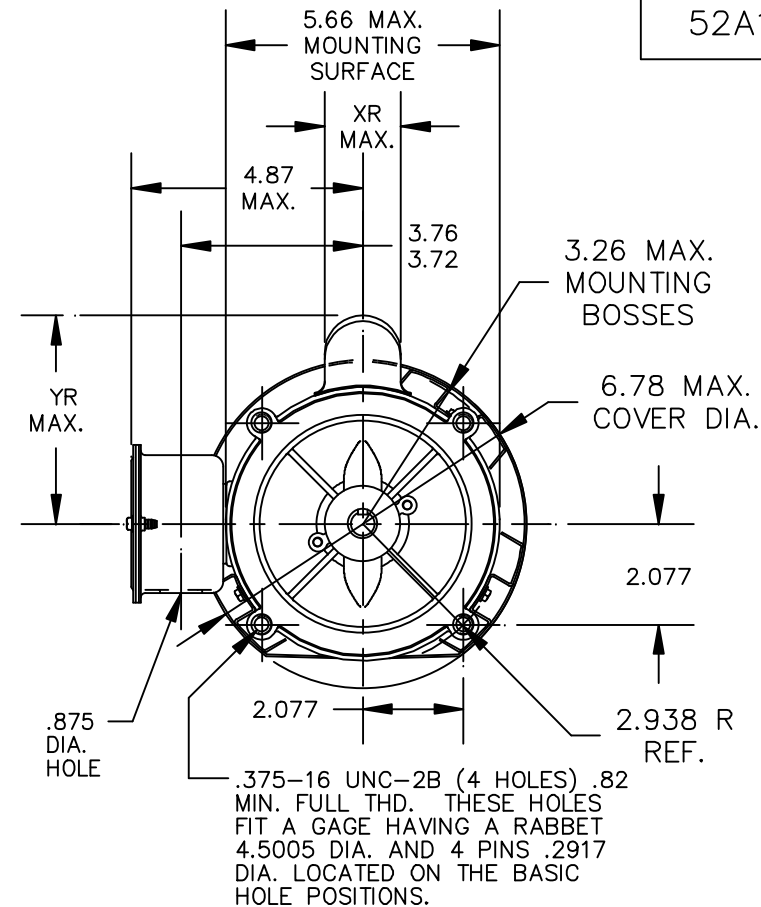
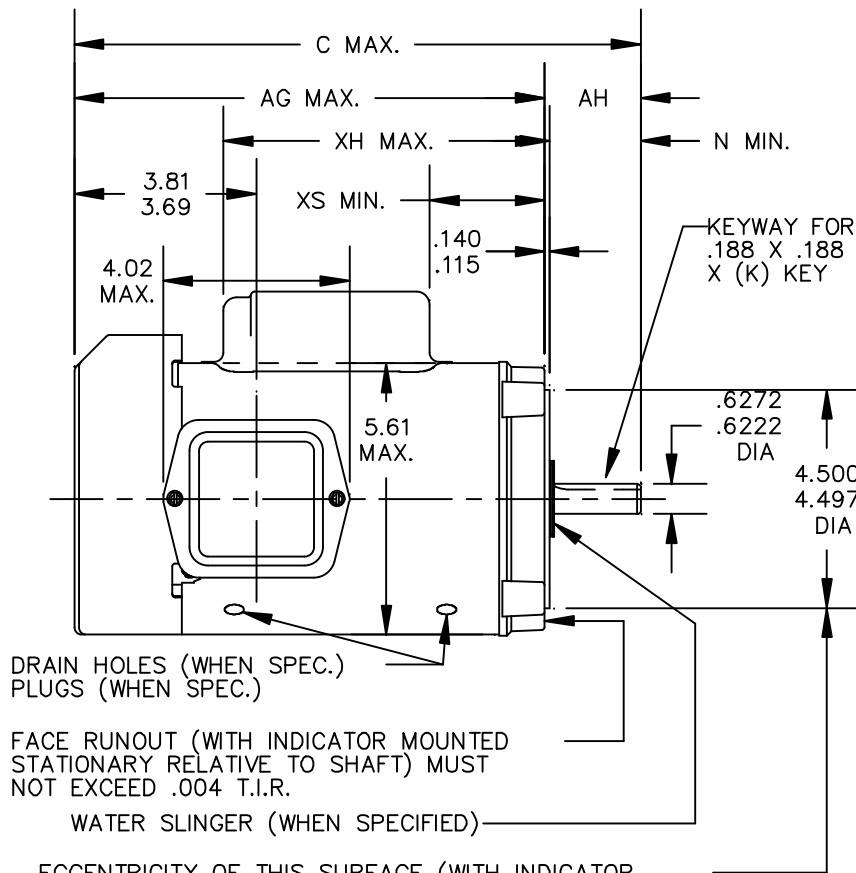
Nameplate Specifications

Output HP	0.33 Hp	Output KW	0.25 kW
Frequency	60 Hz	Voltage	115/230 V
Current	6.0,3.0 A	Speed	1725 rpm
Service Factor	1.15	Phase	1
Efficiency	63.8 %	Duty	Continuous
Insulation Class	B	KVA Code	L
Frame	56C	Enclosure	Totally Enclosed Fan Cooled
Overload Protector	N/R	Ambient Temperature	40 °C
Drive End Bearing Size	6203	Opp Drive End Bearing Size	6203
UL	Recognized	CSA	Yes
CE	N		


Technical Specifications

Electrical Type	Capacitor start(CSIR)	Starting Method	SM
Poles	4	Rotation	Counterclockwise/Clockwise
Mounting	Round	Motor Orientation	Any
Drive End Bearing	LOCKED	Opp Drive End Bearing	BALL
Frame Material	Rolled Steel	Overall Length	10.9 in
Frame Length	5.79 in	Shaft Diameter	0.630 in
Shaft Extension	1.88 in		
Outline Drawing	52A102402P3	Connection Diagram	52A105381BA

This is an uncontrolled document once printed or downloaded and is subject to change without notice. Date Created: 06/29/2018



10	KC	32	56C	10.30	8.22	5.94	1.56	1.60	4.34	2.12/2.00	1.88	1.38
9	KC	38	56C	12.36	10.20	7.02	2.03	1.60	4.34	2.12/2.00	1.88	1.38
8	KC	35	56C	10.93	8.85	6.20	1.77	2.22	4.96	2.12/2.00	1.88	1.38
7	KC	37	56C	12.26	9.68	7.02	1.43	1.60	4.34	2.62/2.50	2.38	1.38
6	KC	33	56C	10.55	8.47	5.81	1.43	2.22	4.96	2.12/2.00	1.88	1.38
5	KC	37	56C	11.76	9.68	7.02	1.43	1.60	4.34	2.12/2.00	1.88	1.38
4	KC	36	56C	11.36	9.23	6.62	1.43	1.60	4.34	2.12/2.00	1.88	1.38
3	KC	35	56C	10.93	8.85	6.19	1.81	1.60	4.34	2.12/2.00	1.88	1.38
2	KC	33	56C	10.55	8.47	5.81	1.43	1.60	4.34	2.12/2.00	1.88	1.38
1	KC	32	56C	10.30	8.22	5.56	1.18	1.60	4.34	2.12/2.00	1.88	1.38
P	TYPE	RBC SIZE	NEMA FR	C	AG	XH	XS	XR	YR	AH	N	K

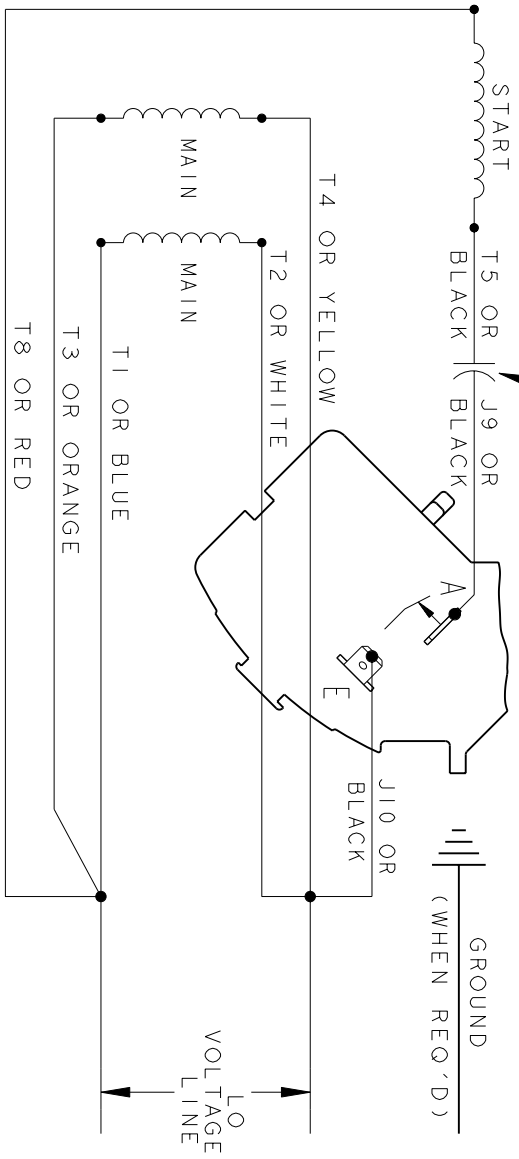
				TOLERANCES UNLESS SPECIFIED					DRAWN B.A.C 08/30/77			
				DEC.		INCHES			CHK			
15	RE DRAWN IN DRAFTSIGHT -NO CHANGES	GR 09/08/12	PKG	.X	±0.1	 REGAL-BELOIT CORPORATION TITLE OUTLINE TOTALLY ENCLOSED - OUTBOARD FAN - R2 END MOUNT				APPD B.L.J 05/04/93		
14	CHG TO RBC FOMAT AS PER IS05-1777	GOV 01/02/06	.XX	±0.02	SCALE 1=1							
13	REVISED LOCATION OF "XH" DIM.	M.D.P12/14/98	.XXX	±0.005	REF							
12	ADDED PT#10	B.L.J 06/25/93	.XXXX	±0.0005	MAT'L.				FMF			
NO.	REVISION	BY & DATE	CHK	ANG	±1.0	FINISH				PREV		
THIS DRAWING IN DESIGN AND DETAIL IS OUR PROPERTY AND MUST NOT BE USED EXCEPT IN CONNECTION WITH OUR WORK ALL RIGHTS OF DESIGN AND INVENTION ARE RESERVED THIS IS AN ELECTRONICALLY GENERATED DOCUMENT - DO NOT SCALE THIS PRINT				RFP	CAD FILE 52A102402				SIZE	DRAWING NO.		REV.
				DIST					A	52A102402		15



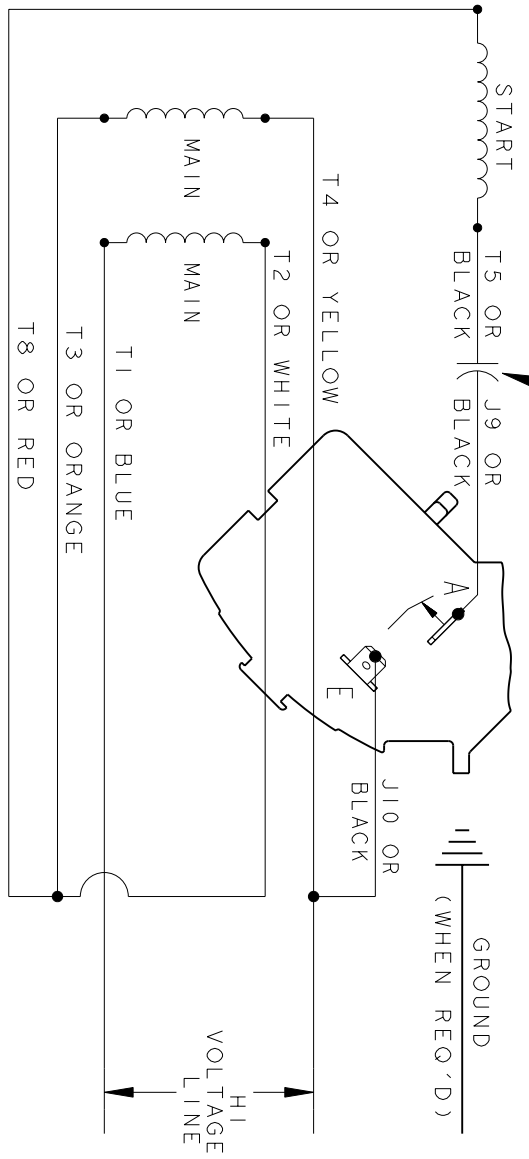
REV.	DESCRIPTION	DATE	APPROVED
3	UPDATED FORMAT	01/04/06	MAM

CCW/CW ROTATION - DUAL VOLTAGE
TYPE KC OR KH

CAPACITOR AS SHOWN FOR KC MOTORS ONLY. LEAD T5 BLACK CONNECTED DIRECTLY TO TERMINAL BOARD FOR KH MOTORS.



CAPACITOR AS SHOWN FOR KC MOTORS ONLY. LEAD T5 BLACK CONNECTED DIRECTLY TO TERMINAL BOARD FOR KH MOTORS.



NOTE#1 - TO REVERSE ROTATION, INTERCHANGE T8 RED AND J10 BLACK LEADS.
NOTE#2 - WHEN MORE THAN ONE CAPACITOR IS USED, CONNECT IN PARALLEL.

SWITCH (H) - 115D958AA

REF. DIAG. - 113A326 CONNECTION LABEL - 52X332917

SIGNATURES		DATE	
MODEL	M.D. PAPER	06/29/87	
DETAIL			
CHECKED			
ENGRG			
MFG			
QUALITY			
ISSUED	M.D.P.	06/29/87	
FOR ADDITIONAL INFO REFER TO:			
APPLIED PRACTICES			
DIMENSIONS ARE IN INCHES			
MATERIAL	SOLID MODEL: 52A105381BA		

REGAL-BELOIT CORPORATION

REGAL-BELOIT

CONNECTION DIAGRAM

FME: 30 FRAME SWITCH REDESIGN

SCALE: 1.000 REF. No: .

SIZE DRAWING A

52A105381BA

REV 3

SHEET 1 of 1